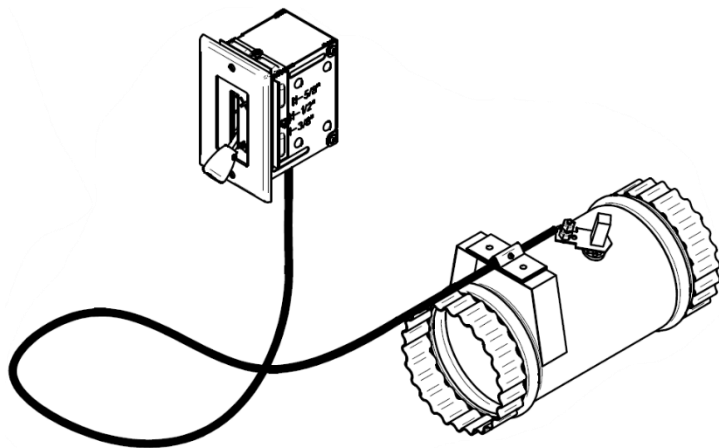




**FRESH AIR INTAKE REGISTER
WITH AIRTIGHT DAMPER
AC01347 AC01349
4" 5"**

INSTALLATION INSTRUCTIONS



CAUTION:

THE FRESH AIR INTAKE REGISTER WITH AIRTIGHT DAMPER MUST NOT BE IN A CLOSED POSITION WHEN YOUR HEATING APPLIANCE IS IN USE OR IN WAITING MODE ON THERMOSTAT.

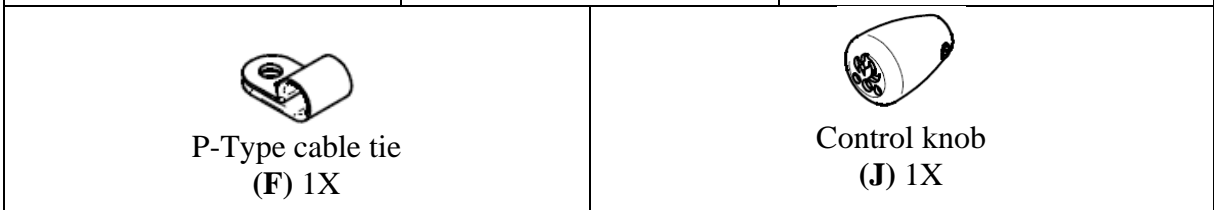
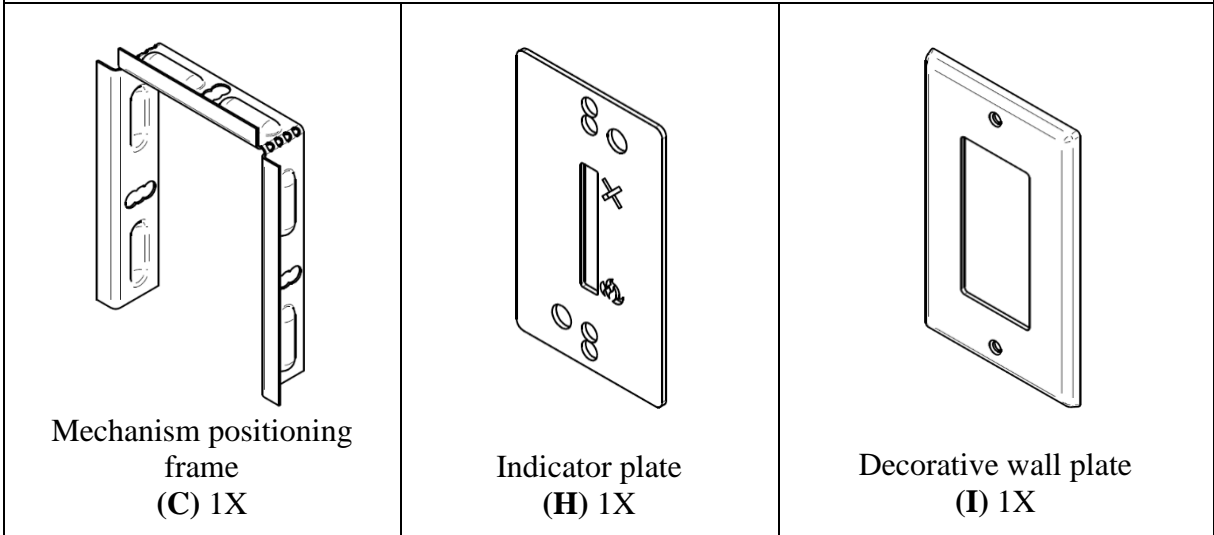
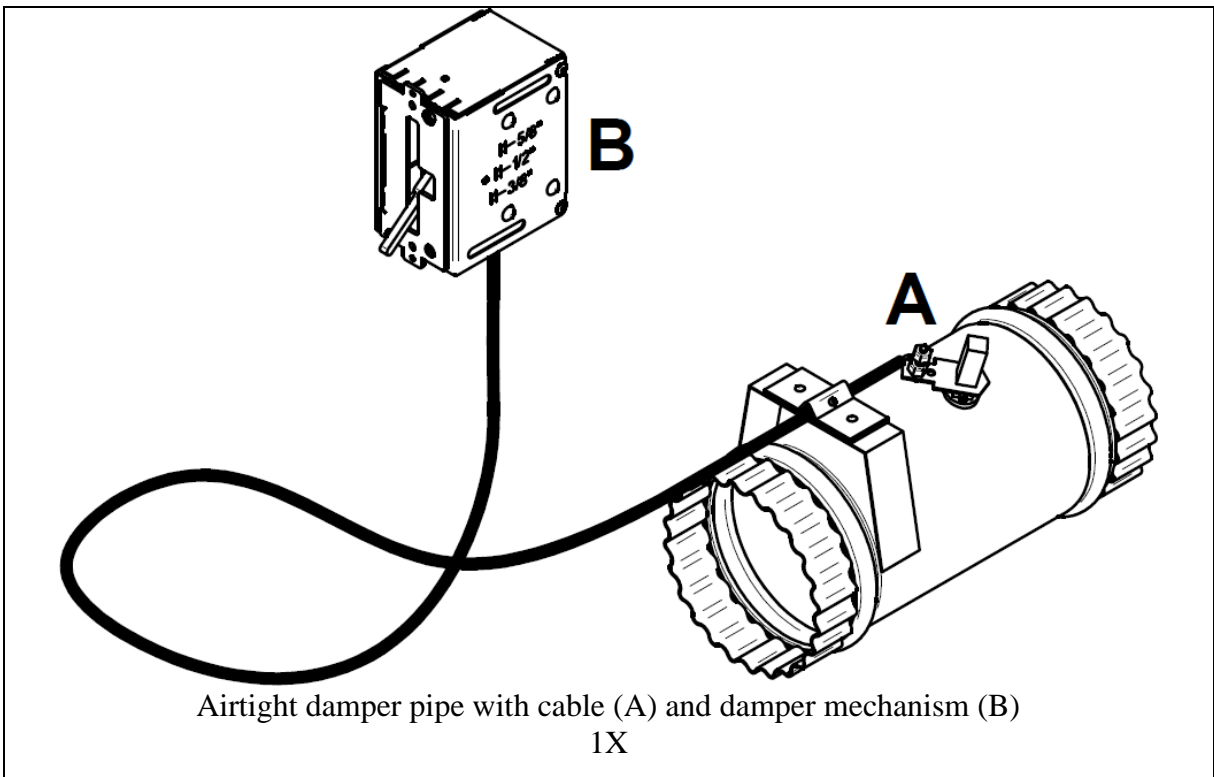
MEETS INSTALLATION REQUIREMENTS FOR SOLID FUEL HEATING APPLIANCES IN AIRTIGHT HOMES IN ACCORDANCE WITH LOCAL STANDARDS.




This device opens and closes the fresh air supply to a wood or pellet heating appliance being certified with a fresh air intake kit. Its simple mechanism makes it possible to close the damper tightly when the heating appliance is not in operation.



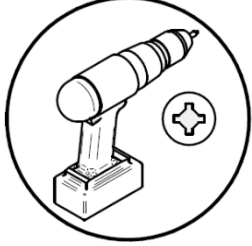
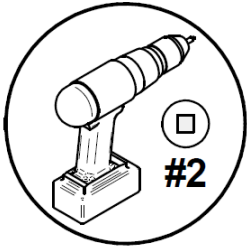
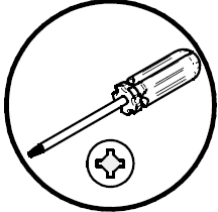
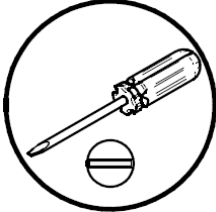

This manual is available for free download on the manufacturer's web site. It is a copyrighted document. Re-sale is strictly prohibited. The manufacturer may update this manual from time to time and cannot be responsible for problems, injuries, or damages arising out of the use of information contained in any manual obtained from unauthorized sources.

Included in the Kit



 <p>#8-32 UNC x 7/16" flat head screw (D) 5X</p>	 <p>#10 x 3" flat head wood screw #2 (E) 2X</p>
 <p>#8 x 3/4" Quadrex metal screw #2 (G) 2X</p>	

Required tools

 <p>Power driver + Phillips bit</p>	 <p>Power driver + #2 Robertson bit</p>	
 <p>Phillips screwdriver</p>	 <p>Flat screwdriver</p>	 <p>5/64" Allen key</p>

RECOMMANDATIONS

DO NOT INSTALL THIS ASSEMBLY TOO CLOSE TO AN OUTSIDE WALL TO PREVENT THE DAMPER FROM FREEZING.

DO NOT INSTALL THE FRESH AIR INTAKE REGISTER THROUGH PARTITIONS OF A WALL, FLOOR OR CEILING TO AVOID BLOCKING THE MECHANISM.

DO NOT COVER THE DAMPER MOTION MECHANISM WITH AN INSULATION PRODUCT THAT COULD BLOCK IT. ANY OTHER PART OF THE PIPE MAY BE INSULATED TO PREVENT CONDENSATION.

IT IS RECOMMENDED TO PROVIDE ACCESS TO THE FRESH AIR INTAKE REGISTER WITH AIRTIGHT DAMPER IN CASE OF BREAKAGE OR DEFECT.

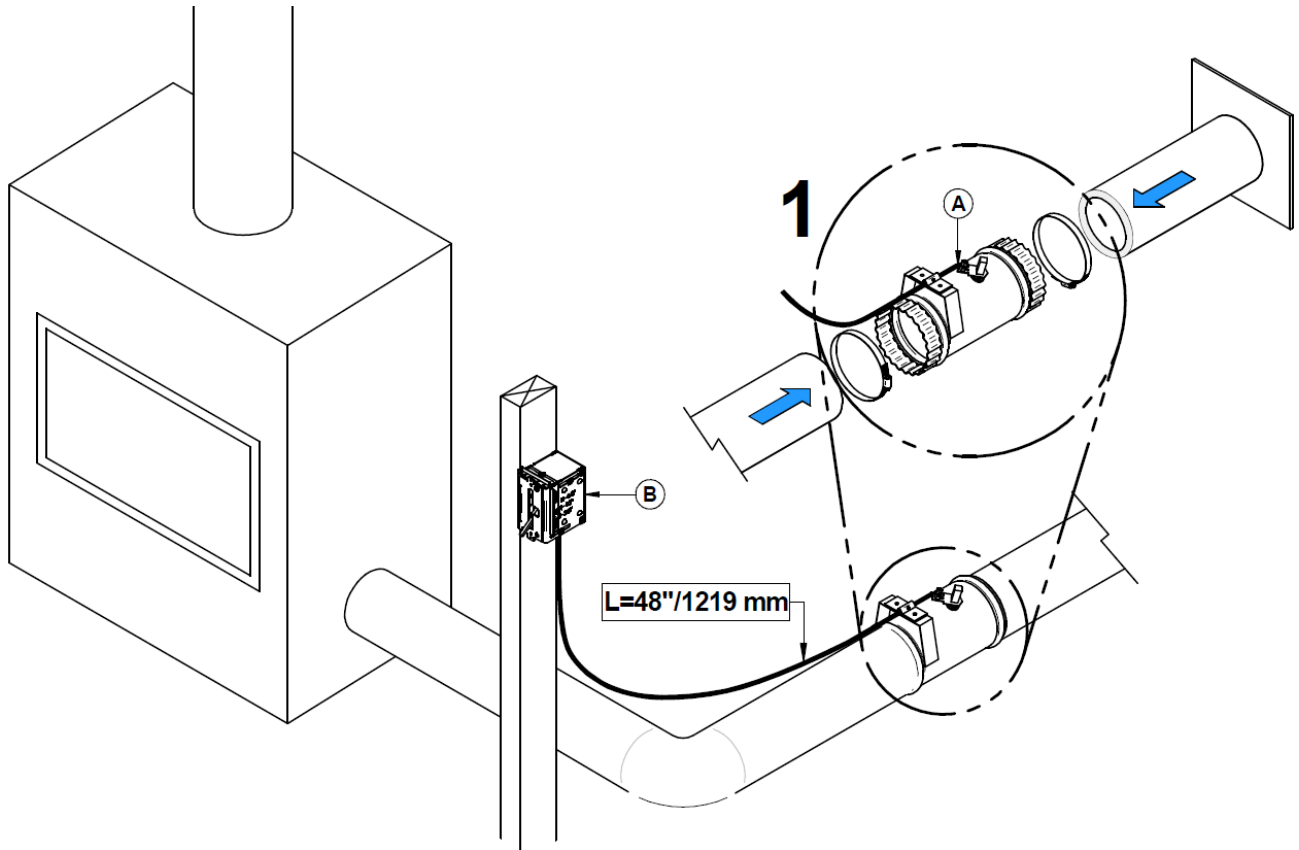
THE HVAC TYPE INSULATED PIPE (NOT INCLUDED) MUST CONFORM TO ULC S110 AND/OR UL 181 STANDARDS AND MUST WITHSTAND TEMPERATURES UP TO 250 °F (121 °C).

Installation

Ensure the proper functioning of the mechanism before installation.

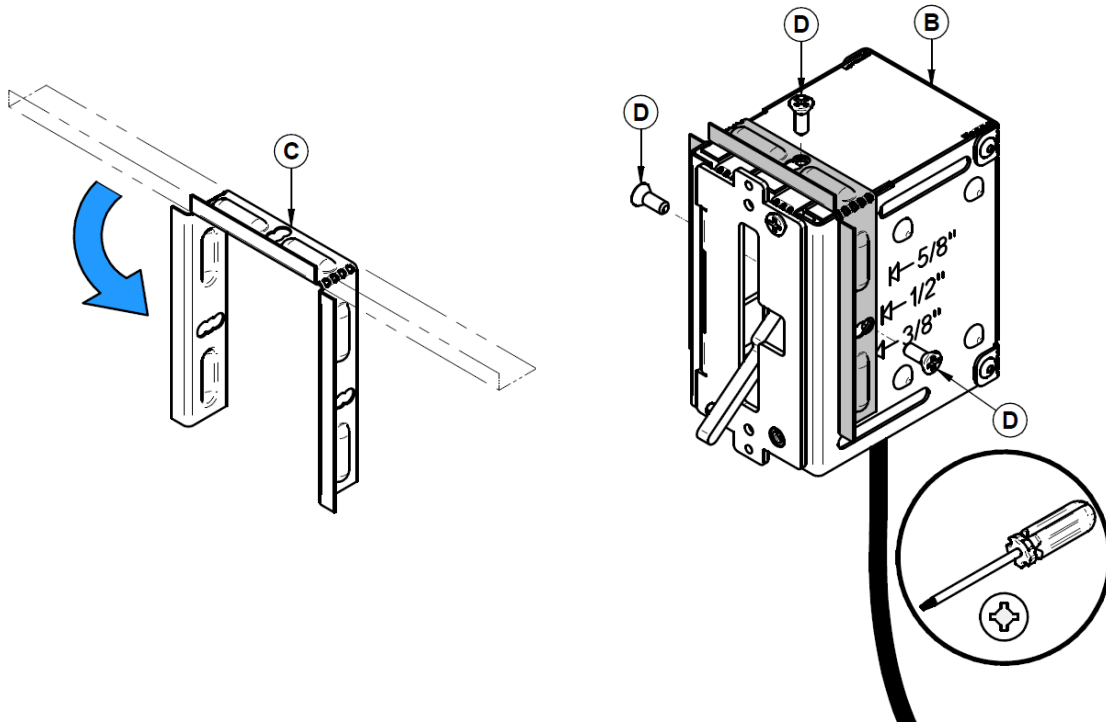
Step 1

Position the damper pipe (A) according to the previous recommendations and determine the location of the damper mechanism (B). The maximum cable length between the damper (A) and the damper mechanism (B) is 48" (1219 mm). Connect the insulated duct from the outside and the one attached to the heating unit to each end of the damper pipe. Secure each junction using clamps (not provided).



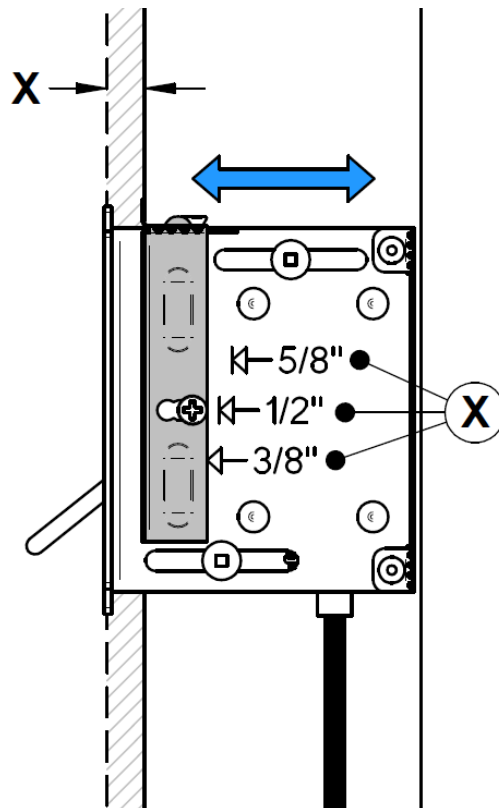
Step 2

Manually fold the mechanism positioning frame (C) and secure it to the damper mechanism housing (B) using 3 screws (D).



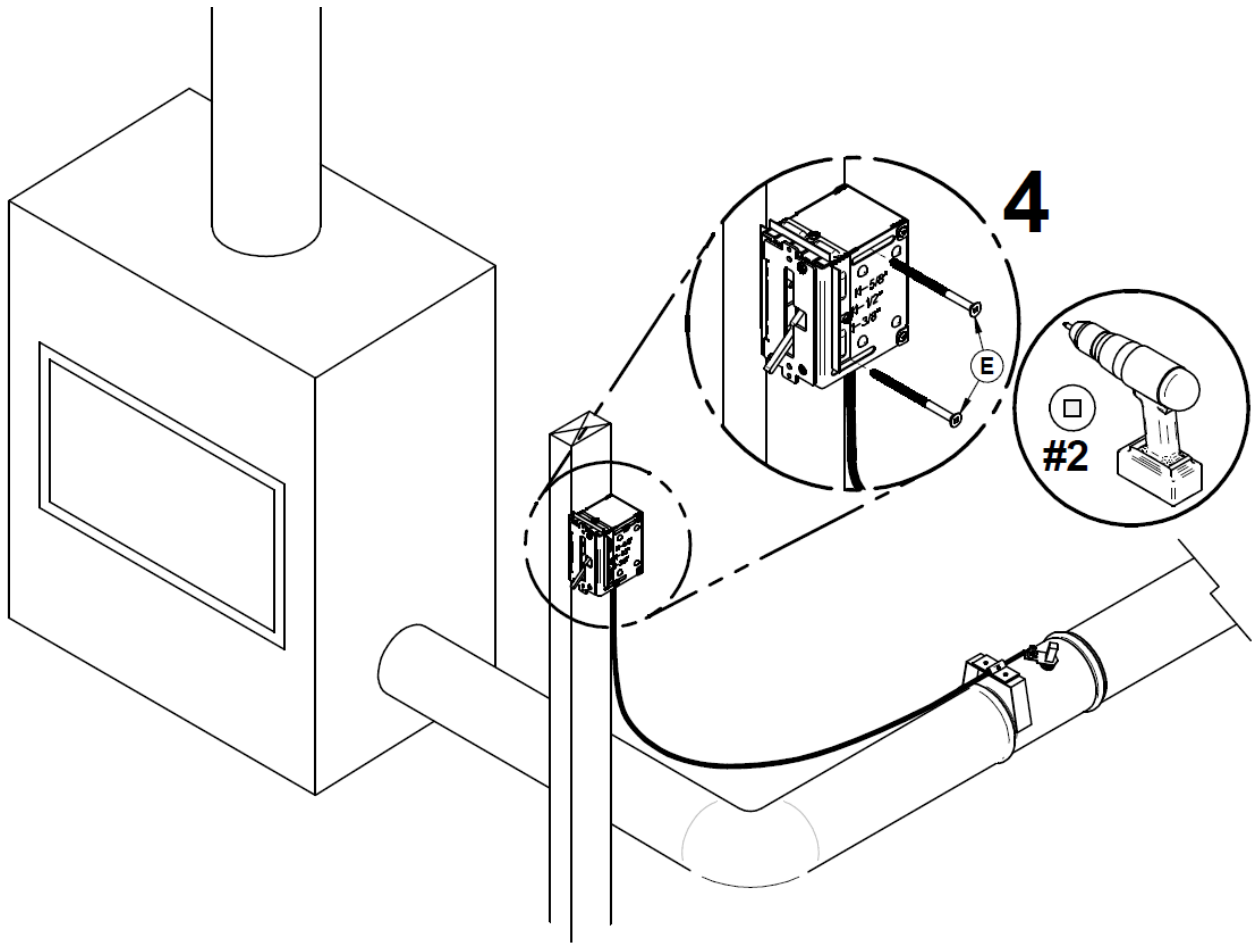
Step 3

Measure the thickness of the finishing material (X). Adjust the depth of the positioning frame so it is aligned with the arrow marked on the side of the housing corresponding to the finishing material previously measured. Then tighten the screws (D).

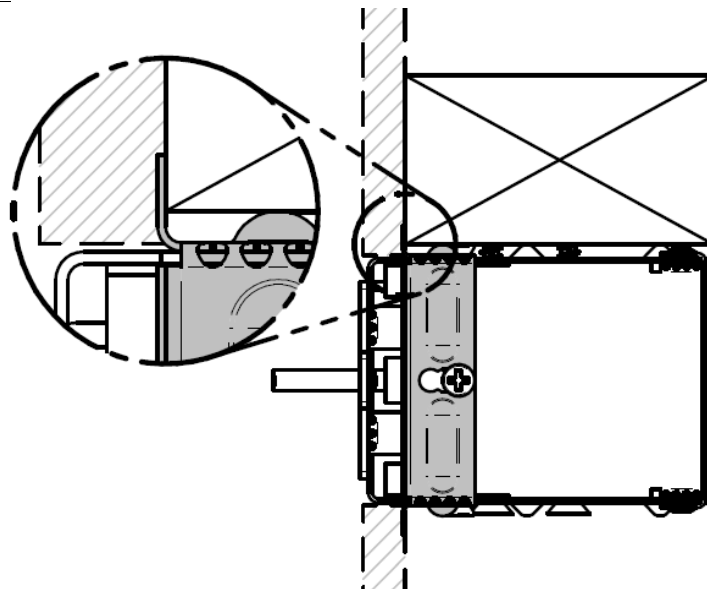


Step 4

Secure the mechanism housing to the vertical framing stud using 2 screws (E).



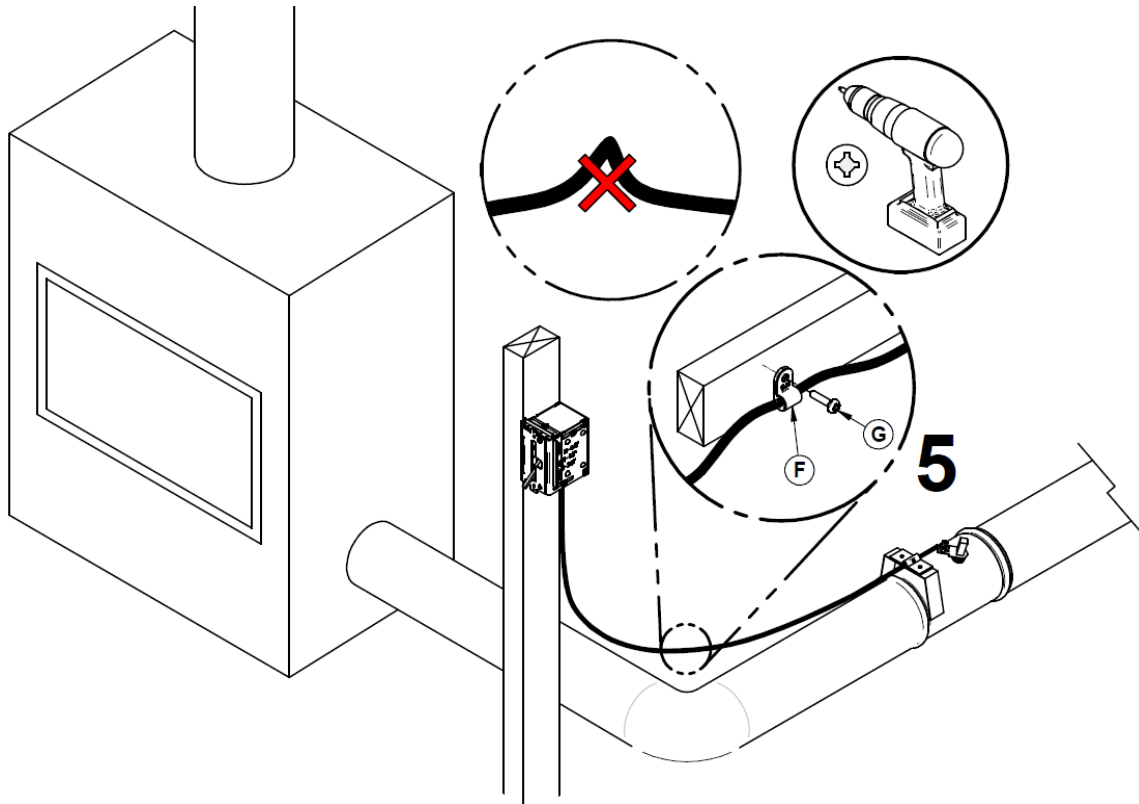
CAUTION: THE POSITIONING FRAME MUST REST AGAINST THE FRONT FACE OF THE VERTICAL STUD TO WHICH THE BOX WILL BE ATTACHED.



Step 5

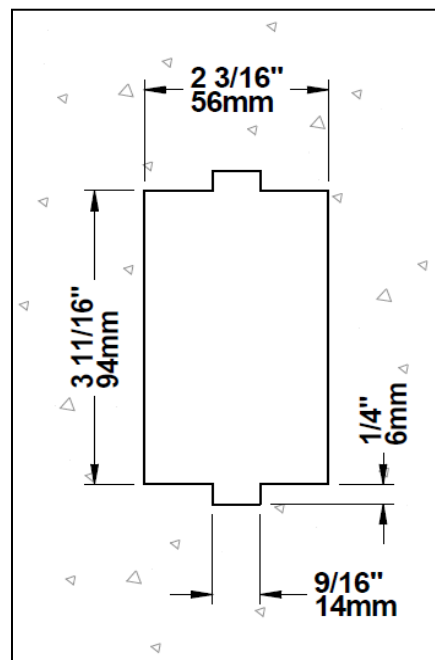
Attach the cable to the structure using the P-type cable tie (F) and screw (G).

CAUTION: DO NOT BEND THE CABLE. THIS COULD IMPAIR THE PROPER FUNCTIONING OF THE DAMPPER.



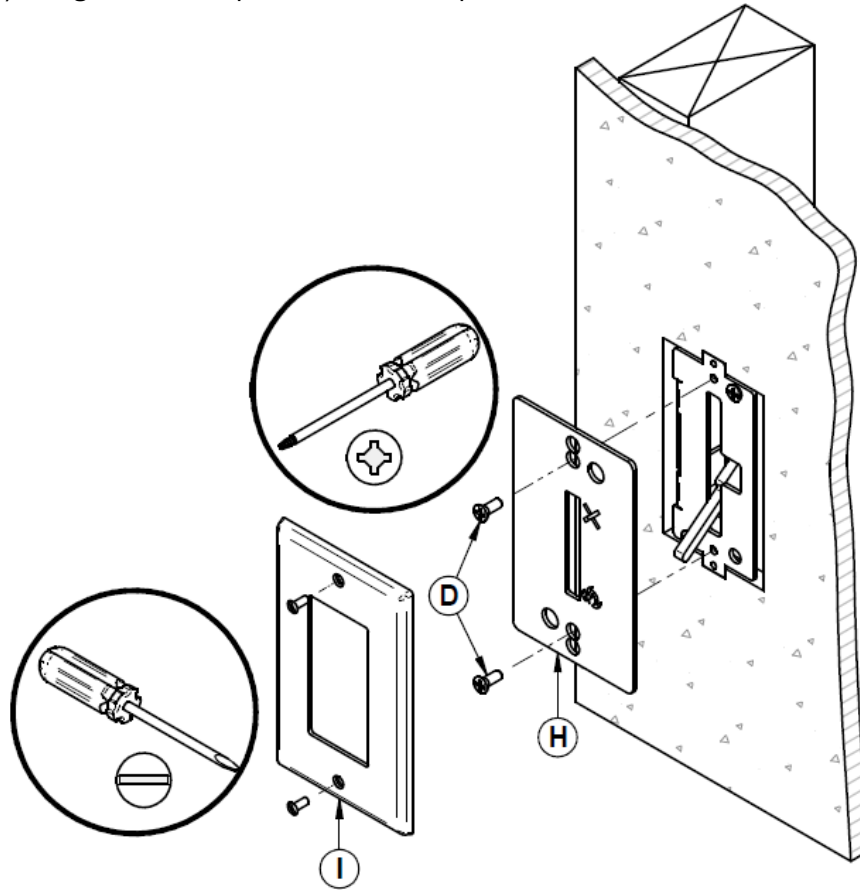
Step 6

Cut an opening in the wall partition according to the dimensions below to accommodate the front of the control box to clear the mounting holes.



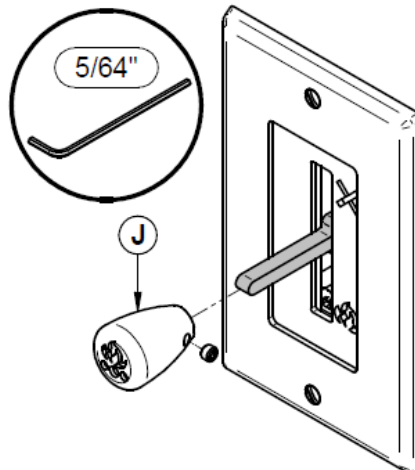
Step 7

Attach the indicator plate (H) to the front of the damper mechanism using 2 screws (D). Then, install the decorative wall plate (I) using the screws provided with the plate.



Step 8

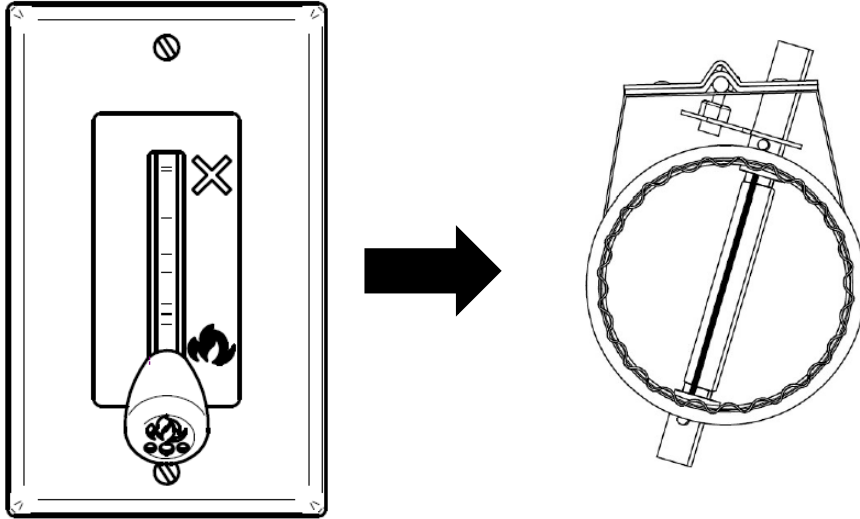
Install the control knob (J) onto the stem of the mechanism using the Allen screw provided with it.



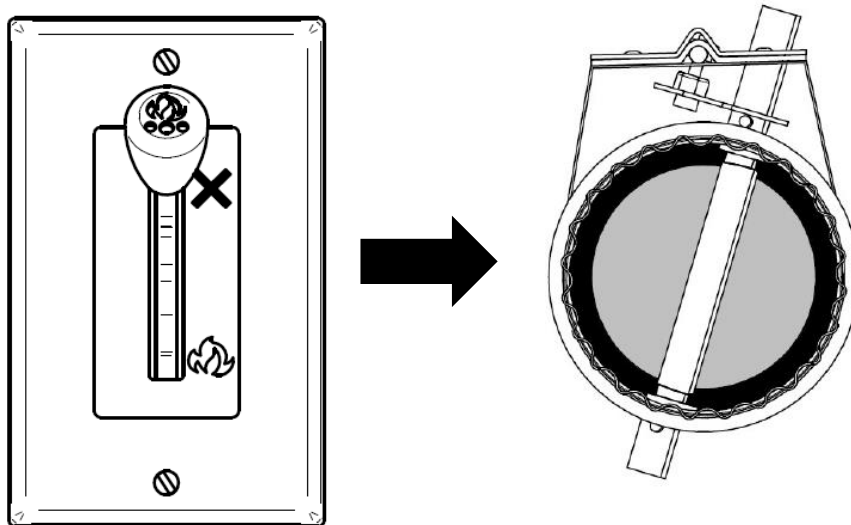
Operation

There are 2 positions available, “**Opened or Closed**”.

Opened : 



Closed : 



Stove Builder International inc.
250, rue de Copenhague
Saint-Augustin-de-Desmaures (Québec) Canada
G3A 2H3
1-877-356-6663
<https://www.sbi-international.com>
tech@sbi-international.com